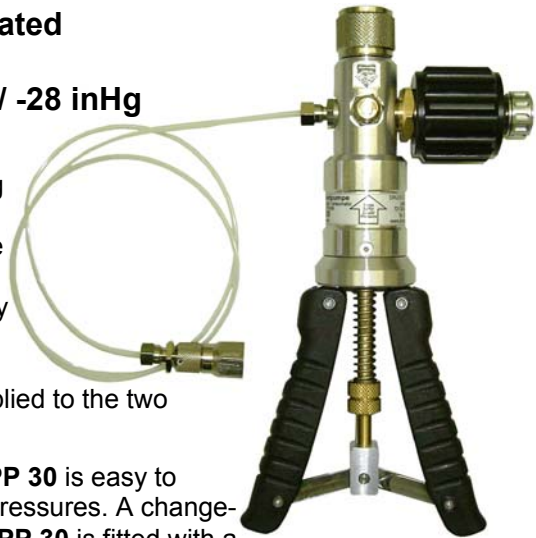


Calibration Test Pump LPP 30, pneumatic operated to generate pressure up to +35 bar / +500 PSI switchable to generate vacuum up to -0.95 bar / -28 inHg

The Calibration Test Pump **LPP 30** is used to generate pressures and vacuum for checking, adjusting and calibrating mechanical and electronic pressure measuring instruments by comparative measurements. These pressure tests may be carried out in laboratories, workshop or on site at the measuring point. If the instrument under test and a sufficiently accurate reference measuring instrument (e.g. Electronic Pressure Calibrator LPC 300 or LPC 200, $\pm 0.025\%$ FS) are connected to the **LPP 30**, the same pressure / vacuum is applied to the two instruments when the pump is operated.



Despite its compact dimensions, the calibration test pump **LPP 30** is easy to operate and allows for exact generation of the required test pressures. A change-over switch enables the generation of vacuum as well. The **LPP 30** is fitted with a fine adjustment valve for the precise adjustment of pressures. The reference instrument is screwed directly on to the top of the pump and the unit under test is connected by means of a connection tube incorporating an adapter 1/4" BSP rotating female (or 1/4" NPT female) port.

Specification:

Pressure generation:	0...35 bar = 0...500 PSI (or equivalent), switchable to
Vacuum generation:	0...-0.95 bar = 0...-28 inHG (or equivalent)
Pressure ports:	1/2" BSP female rotating (with seal) for reference instrument on the top of the pump (Type LPP-30-N14: 1/4" NPT female, type LPP-30-G14: 1/4" BSP female rotating) 1/4" BSP female for unit under test (at connection tube) (Type LPP-30-N14: 1/4" NPT female)
Volume per stroke:	appr. 11 cm ³
Materials:	anodized aluminum, brass, ABS
Fine adjustment:	Fine adjustment valve
Dimension:	appr. 220 x 105 x 63 mm
Weight:	appr. 510 g

Included in standard supply:

- Calibration test pump **LPP 30**
- Connection tube with 1/4" BSP female rotating port
- Operating manual

Optional accessories:

- Set of adapters and seals for unit under test
- Rigid plastic case with foams

Recommended Reference Instruments:

• Accuracy $\pm 0.025\%$ FS:	Electronic Process Calibrator	LPC 300	(see sep. datasheet)
• Accuracy up to $\pm 0.025\%$ FS:	Electronic Pressure Calibrator	LPC 200	(see sep. datasheet)
• Accuracy $\pm 0.050\%$ FS:	Electronic Pressure Calibrator	TLDMM	(see sep. datasheet)
• Accuracy $\pm 0.1\%$ FS:	Digital Test Pressure Gauge	TLDMM-A01	(see sep. datasheet)
• Accuracy $\pm 0.2\%$ FS:	Digital Test Pressure Gauge	TLDMM-A02	(see sep. datasheet)
• Accuracy $\pm 0.25\%$ FS:	Digital Test Pressure Gauge	LDM70-E25	(see sep. datasheet)
• Accuracy $\pm 0.5\%$ FS:	Digital Test Pressure Gauge	LDM70-K50	(see sep. datasheet)
• Accuracy $\pm 1.0\%$ FS:	Analogue Pressure Gauge	LPP-MANO	(see back page)



DRUCK & TEMPERATUR Leitenberger GmbH

Bahnhofstr. 33 • D-72138 Kirchentellinsfurt • Germany

Tel.: +49-7121-90920-0 • Fax: +49-7121-90920-99

E-Mail: DT-Export@Leitenberger.de • <http://www.druck-temperatur.de>



Order-Codes:

Description	Order Code
LPP 30 Calibration Test Pump -0,95...+35 bar (-28 in Hg...+500 psi) NOTE: if you dismount the reference connector, you get 3/8" BSP female port	LPP- 30
ditto, but reference port 1/4" BSP female rotating	LPP- 30- G14
ditto, but reference port and test port 1/4" NPT female	LPP- 30- N14
Set of BSP adapters and set of seals 1/8" BSP, 3/8" BSP and 1/2" BSP	LPP- ADAPTER- BSP
Set of metric adapters and set of seals M12x1,5 M20x1,5 and Minimess®	LPP- ADAPTER- M
Set of NPT adapters 1/8" NPT, 1/4" NPT, 3/8" NPT, 1/2" NPT	LPP- ADAPTER- NPT
Carrying case with foams	LPP- KOFFER
LPP-MANO analogue reference gauge DS 63 ±1% FS, 0 ... 2 bar and 0 ... 30 PSI - fine graduation	LPP- MANO- 0002
ditto, but range 0 ... 11 bar and 0 ... 160 psi	LPP- MANO- 0011
ditto, but range 0 ... 25 bar and 0 ... 365 psi	LPP- MANO- 0025
ditto, but range 0 ... 40 bar and 0 ... 600 psi	LPP- MANO- 0040
ditto, but range -1 ... 0 bar and -30 ... 0 inHg	LPP- MANO- 0000
ditto, but range -1...+39 bar and -30 in Hg ... +580 psi	
Spare part: Test tube with 1/4" BSP female port	LPP- SCHLAUCH
Spare part: Fine adjustment valve with relief valve	LPP- VENTIL
Service Kit for LPP 30 (O-rings, seals, etc.)	LPP- WARTUNG



NOTES:

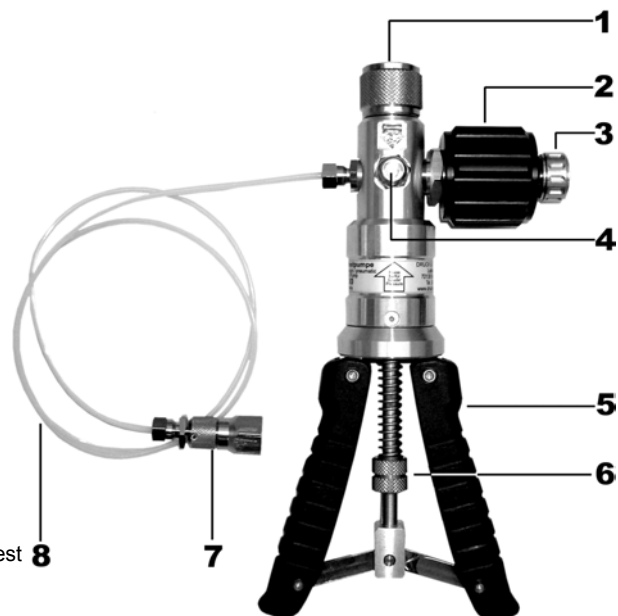
To mount the reference instruments

- **LPC 300 - LPC 200 - TLDMM - TLDMM-A01 - TLDMM-A02 - TDMC - LPP-MANO**

you do **not** need any adapter if you use the calibration handpump type LPP-30.



- (1) pressure port 1/2" BSP female rotating for reference
(1/4" NPT female at type LPP-30-N14)
(1/4" BSP female rotating at type LPP-30-G14)
- (2) fine adjustment valve
- (3) pressure/vacuum relief valve
- (4) change-over switch for pressure/vacuum generation
- (5) handles
- (6) adjustable knurled nut for adjustment of delivery rate
- (7) pressure port 1/4" BSP female rotating for unit under test
(1/4" NPT female at type LPP-30-N14)
- (8) test tube



DRUCK & TEMPERATUR Leitenberger GmbH

Bahnhofstr. 33 • D-72138 Kirchentellinsfurt • Germany

Tel.: +49-7121-90920-0 • Fax: +49-7121-90920-99

E-Mail: DT-Export@Leitenberger.de • <http://www.druck-temperatur.de>

