

# BIMETAL-POINTER-THERMOMETER



Chemical version  
Case with crimp ring  
IP 65  
With or without filling  
External adjustment



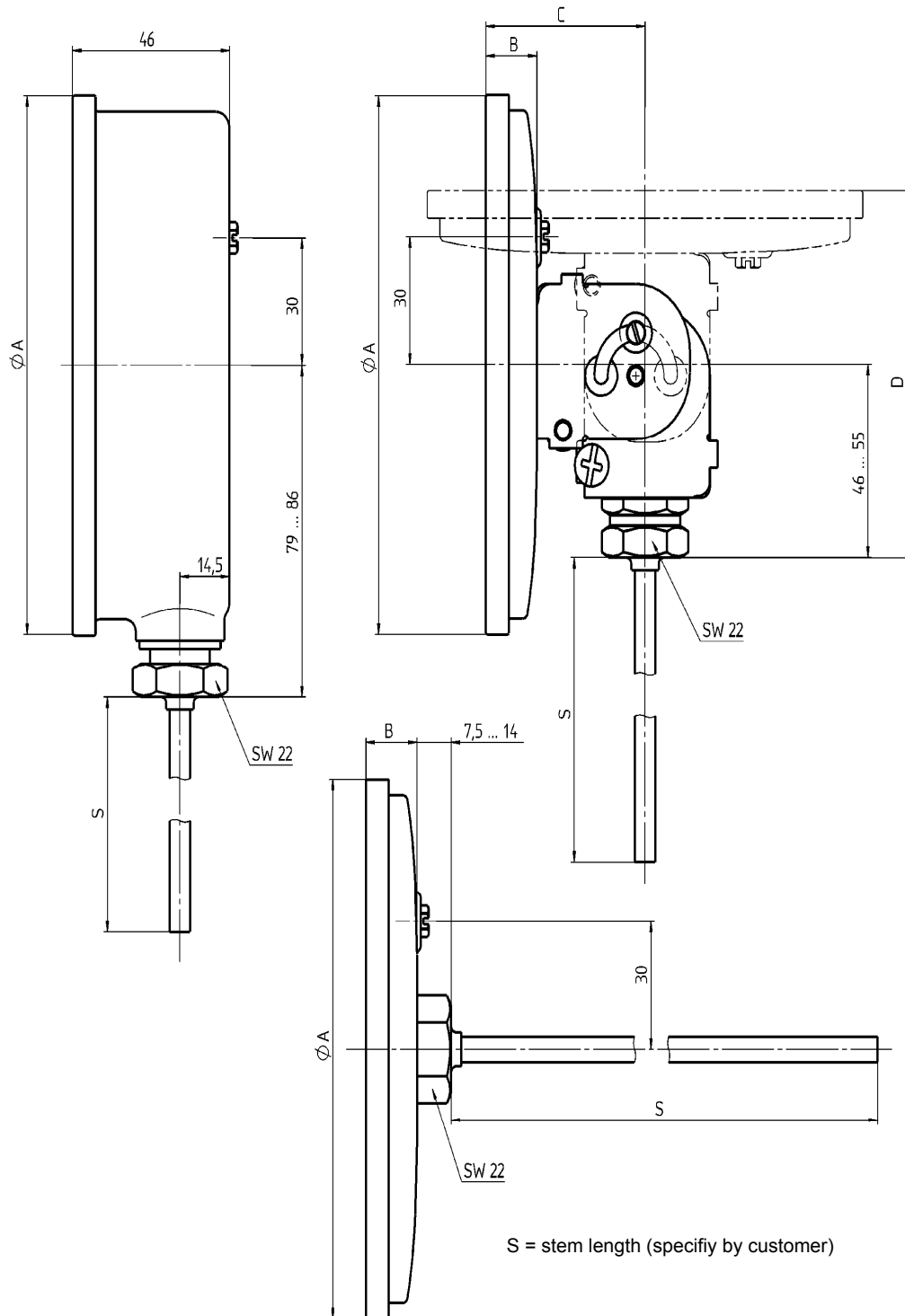
Suitable for chemical and petrochemical industry, food, pulp and paper industry and for machine and apparatus construction.

Type	B14	B15	B16	Options
Diameter	3" (80 mm) , 5" (125 mm)			
Symbol				NS 63, NS 100 with switch contact
Connection	back	bottom	every angle (rotatable)	
Accuracy class	1			
Measuring ranges °C	0/50, 0/60, 0/80, 0/100, 0/120, 0/150, 0/160, 0/200, 0/250, 0/300, 0/400, 1 0/500, 10/150, 50/300, 50/450, 100/500, -10/50, -10/110, -20/40, -20/60, -20/160, -20/180, -25/25, -30/50, -30/70, -30/170, -40/40, -40/60, -40/100, -40/160, -50/50			further on request dual scale
Applications	constant load: full scale, short time up to 1 h; 1.1 of full scale			
Case / ring	case with crimp ring, stainless steel, 1.4301 (304)			1.4571 on request
window	instrument glass			acrylic glass, safety glass
measuring element	Bimetal coil			
Plain stem	dia. 6, 8, 10 mm, material stainless steel 1.4571			
Stem length	63 up to 1000 mm, minimum length depends on measuring range			on request
Extension tube	over 300°C meaningful			
Process connection	without thread G 1/2 A male, G1/2 female, 1/2 NPT male or 1/2 NPT female G 3/4 A male, G 3/4 female, 3/4 NPT male or 3/4 NPT female G 1 A male, G 1 female, 1 NPT male or 1 NPT female fixed, adjustable or with swivel nut			other on request
Filling	silicone, not for lower connection, max. range up to 300°C			
Protection	IP 65 according EN 60 529/IEC 529			
Working pressure	max. 25 bar on plain stem (above 25 bar use a thermowell)			
Additional Equipment				marker pointer

Dimension in mm

NG	A	B	C	D
3"	80	11	43	83...92
5"	126	15	47	87...96

Drawings [mm]



Modifications reserved!