

MSD1 – Manometer DN 100 with Clamp seal

Simplified catalogue sheet for a complete set of deformation stainless steel manometer DN 100 with clamp seal, for the most common ranges.

Manometer

- all stainless steel, DN 100, safety glass
- bottom (type 6325) or back-side (type 6329) connection
- glycerine filling (option)

Chemical seal – CLAMP according DIN 32676 (for pipe DIN 11850)

Type C32 – clamp DN 32 (PN 40)

Type C40 – clamp DN 40 (PN 40)

Type C50 – clamp DN 50 (PN 25)

- diaphragm material: stainless steel AISI 316L (1.4435)
- body material: stainless steel AISI 316L (1.4404)
- surface roughness of wetted parts max. Ra 0,6

Filling liquid

- Neobee (FDA approved)
- glycerine (FDA approved)
- silicone oil
- almond oil

Temperature conditions:

- medium: -20 ... +100 °C
- ambient: -20 ... +60 °C

Customer options:

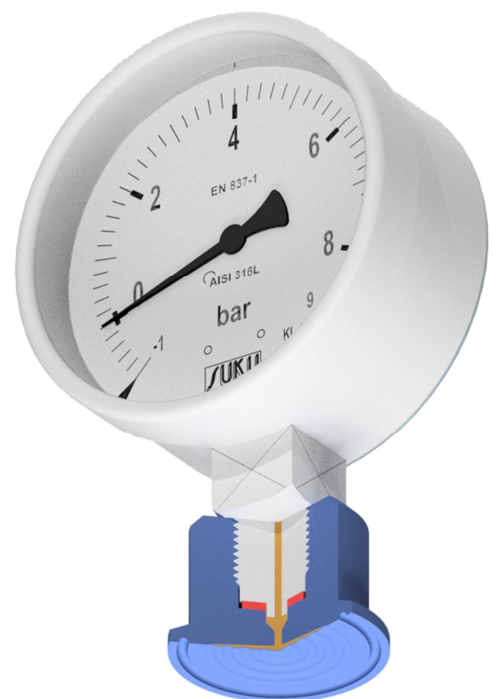
Chemical seals can be assembled with various gauges or with other ranges only by agreement and after technical verification. Dial with another scale unit is possible by agreement as well (kPa, MPa, PSI, ...).

Another temperature conditions must be consulted!

Additional information:

A table comparing the types of different standards for clamp connections is given in the Clamp seal data sheet.

More detailed information of the manometer - see the catalogue sheet of all-stainless steel manometers.



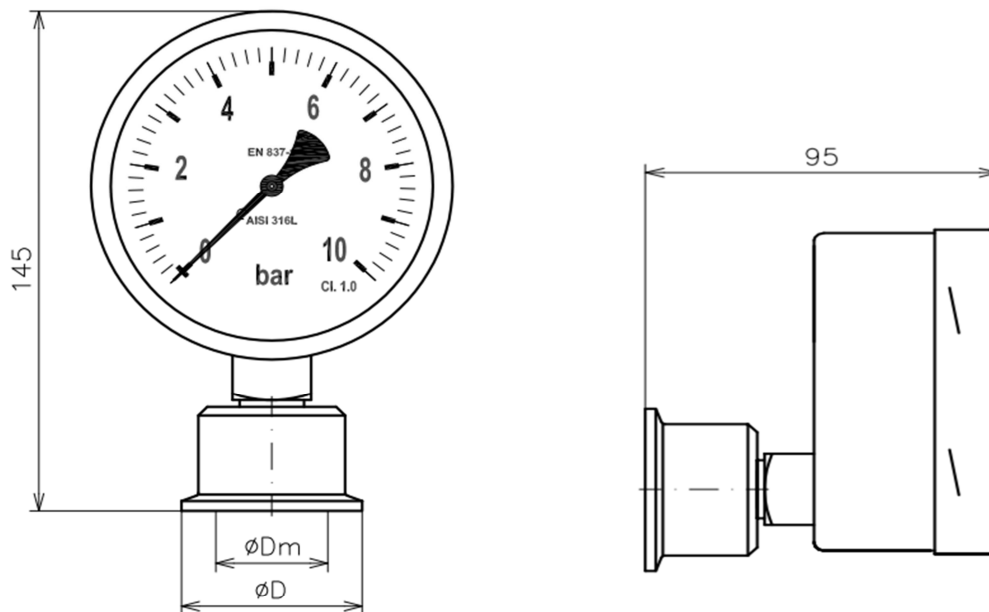
Ordering code:

MSD1 -	C			-								
type C32 (DN32)		3	2									
type C40 (DN40)		4	0									
type C50 (DN50)		5	0									
Manometer with bottom connection					2	5						
Manometer with back-side connection					2	9						
Manometer with glycerine filling												G
Manometer without filling												N
Pressure range:	0 ... 1 bar	0	1		
	0 ... 1,6 bar	0	2		
	0 ... 2,5 bar	0	3		
	0 ... 4 bar	0	4		
	0 ... 6 bar	0	6		
	0 ... 10 bar	1	0		
	0 ... 16 bar	1	6		
	0 ... 25 bar	2	5		
	-1 ... 0 bar	P	0		
	-1 ... +0,6 bar	P	1		
	-1 ... +1,5 bar	P	2		
	-1 ... +3 bar	P	3		
	-1 ... +5 bar	P	5		
	-1 ... +9 bar	P	9		
Filling liquid:	silicone oil											S
	almond oil											M
	neobee											N
	glycerine											G

Recommended minimum pressure range of the manometer:

Seal type	Min range
C32	4 bar
C40	2,5 bar
C50	1 bar

Dimensions:



	C32	C40	C50
ØD [mm]	50.5	50.5	64
ØDm [mm]	34	38	48