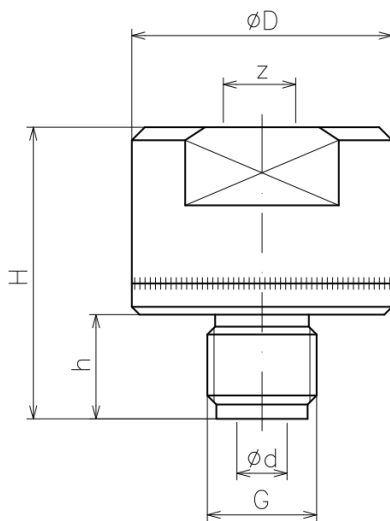


Diaphragm chemical seals type W Welded body

Process industry chemical seal with welded body - all AISI 316L (1.4404 + 1.4435)

The diaphragm chemical seal prevents the measured fluid from entering the device as well as a damping element to protect the gauge from pressure shocks

It can be used with mechanical pressure gauges as well as with pressure transmitters



type	PN	z	G	ØD [mm]	Ød [mm]	SW	H [mm]	h [mm]	Type - code
W40	160	G 1/4"	G 1/4"	40	6	32	41	12	W40(G1/4)-G1/4
		G 1/2"	G 1/4"	40	6	32	48	12	W40(G1/2)-G1/4
		G 1/4"	G 1/2"	40	8	32	49	20	W40(G1/4)-G1/2
		G 1/2"	G 1/2"	40	8	32	56	20	W40(G1/2)-G1/2
W50	50	G 1/4"	G 1/4"	50	6	41	41	12	W50(G1/4)-G1/4
		G 1/2"	G 1/4"	50	6	41	48	12	W50(G1/2)-G1/4
		G 1/4"	G 1/2"	50	8	41	49	20	W50(G1/4)-G1/2
		G 1/2"	G 1/2"	50	8	41	56	20	W50(G1/2)-G1/2

Note: non-standard type on request, PN400 or PN600 on request