

Chemical seal type Z so-called "pulp and paper" connection

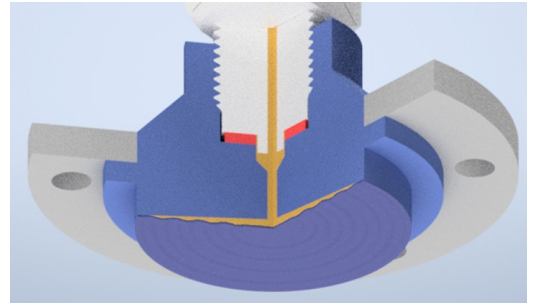
Chemical seals are used to prevent the measured medium from entering the measuring unit of the pressure gauge. It is used when measuring the pressure of solidifying or crystallising substances, hot liquids or where it is necessary to ensure that the system can be completely cleaned of product residues.

Material

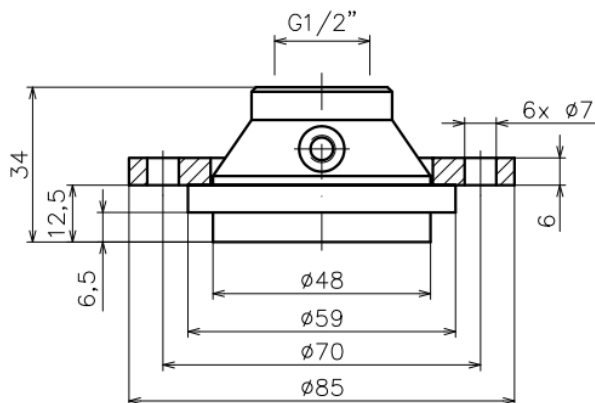
- Diaphragm: stainless steel SS 316L / 1.4435 (other material on request)
- Body: stainless steel SS 316L / 1.4404

Working Temperature

- Medium: -20 ... +100 °C
- Ambient: -20 ... +60°C
- other conditions on request



Type Z48



Minimum recommended pressure gauge range:

| Type of chemical seal | Nominal gauge size |
|-----------------------|--------------------|
| | DN100 |
| Z48 | 1,0 bar |

Assembly with measuring instrument

The most frequent assembly of the chemical seal is with a manometer or by direct connection (thread). It can also be adapted for a variant with an extended neck or cooler or capillary line.

Special design

These are mainly versions with an extended tube (typically in lengths of 17 and 25 mm) and also with a dimensionally different pressure flange.